

ect.

LED BULKHEAD WITH 110°P.I.R.



Description

A family polycarbonate bulkheads that incorporates the latest in LED technology. It is designed to illuminate for approximately 2½ minutes when triggered by a moving heat source.

The sensor head is maneuverable.
Mains supply: - 230V/240V~50Hz
Not suitable for dimming circuits.
Suitable for internal or exterior use.
Suitable for mounting on normally flammable surfaces.



Weather rating: IP55

Conforms to BS EN60 598-2-1.


This unit must be wired in accordance with all the latest relevant regulations.

Installation

ISOLATE THE MAINS SUPPLY BEFORE WORKING ON THE UNIT.

THESE UNITS MUST BE EARTHED.

Remove the front lamp cover (4 screws).

1. Slacken the two screws securing the reflector assembly and remove it.
2. Drill out the chosen cable entry 20MM fit the grommet (supplied).
3. Drill through the appropriate mounting holes on the base, using the base as a template mark the mounting surface and drill to suit. Secure the unit to the mounting surface (fixings not supplied).
4. Pass the mains cable through the grommet, cutting away a minimum of the rubber to ensure a good seal.
5. Cut back the outer insulation, remove 5mm of the insulation from the individual wires Connect the Live to 'L', Neutral to 'N' and Earth to 
6. Refit the reflector assembly to the base ensuring that no wires are trapped.
7. Replace the front lamp cover, DO NOT OVER TIGHTEN THE SCREWS.
8. Apply the power.

Location

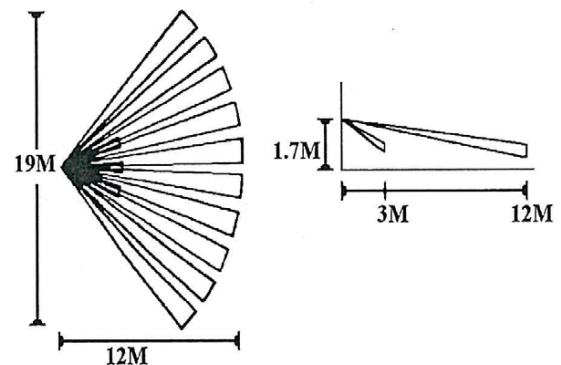
The unit should be mounted flush to a vertical wall ensuring that the detector head sits underneath the luminaire.

The P.I.R. range is dependent on the mounting height; typical range is 12 meters with a mounting height of 1.7 meters.

Ensure that direct light from any other lamp can not enter the sensor lens.

Typical Beam Pattern

Main Beams Detection Pattern = 110°



Further Advice

IF IN DOUBT WITH INSTALLATION CONTACT A QUALIFIED ELECTRICIAN.
The manufacturer reserves the right to improve the product specification without prior notice.
IF IN DOUBT WITH INSTALLATION CONTACT A QUALIFIED ELECTRICIAN
The manufacturer reserves the right to improve the product specification without prior notice.
The Producer of this EEE will finance collection, treatment, recycling, recovery and environmentally sound disposal from the B2B end user of this EEE when it is discarded as WEEE in the UK subject to the WEEE collections policy outlined in our General Terms and Conditions of Sale. This policy is in accordance with Regulation 9.2 of the UK WEEE legislation 2007.