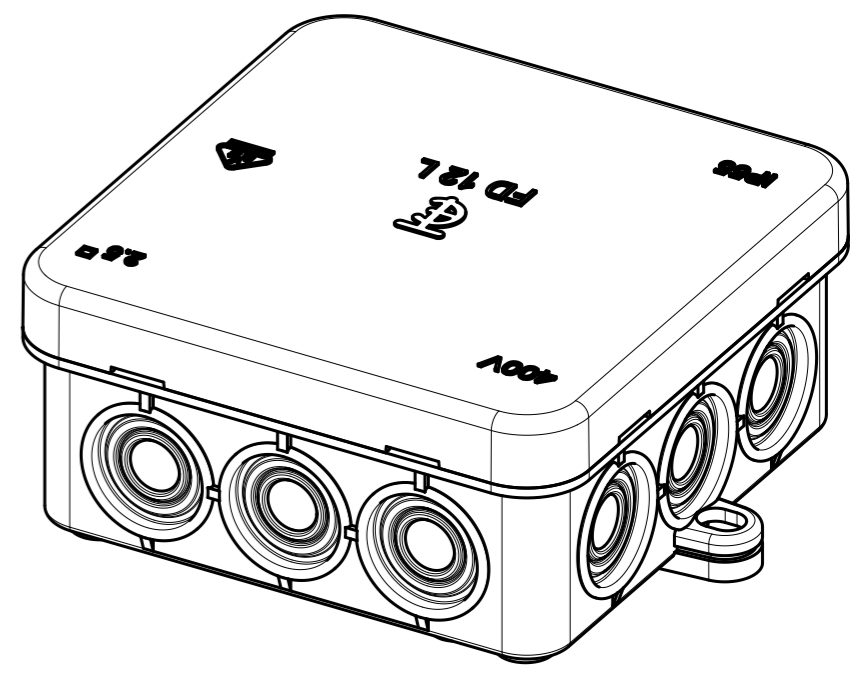
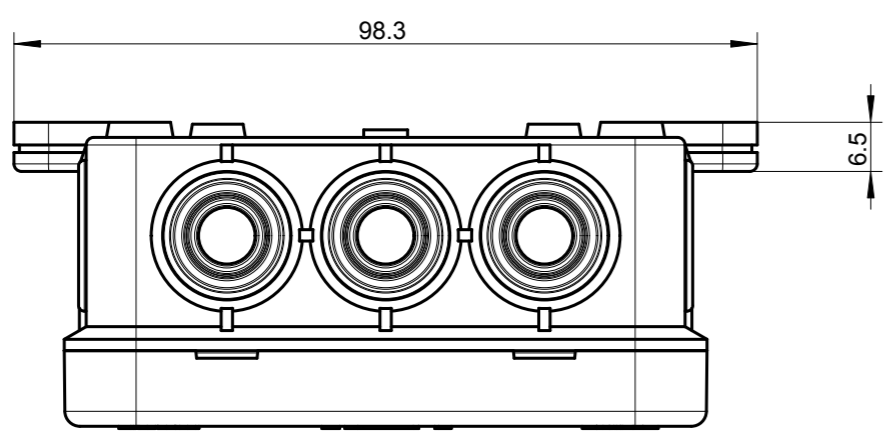
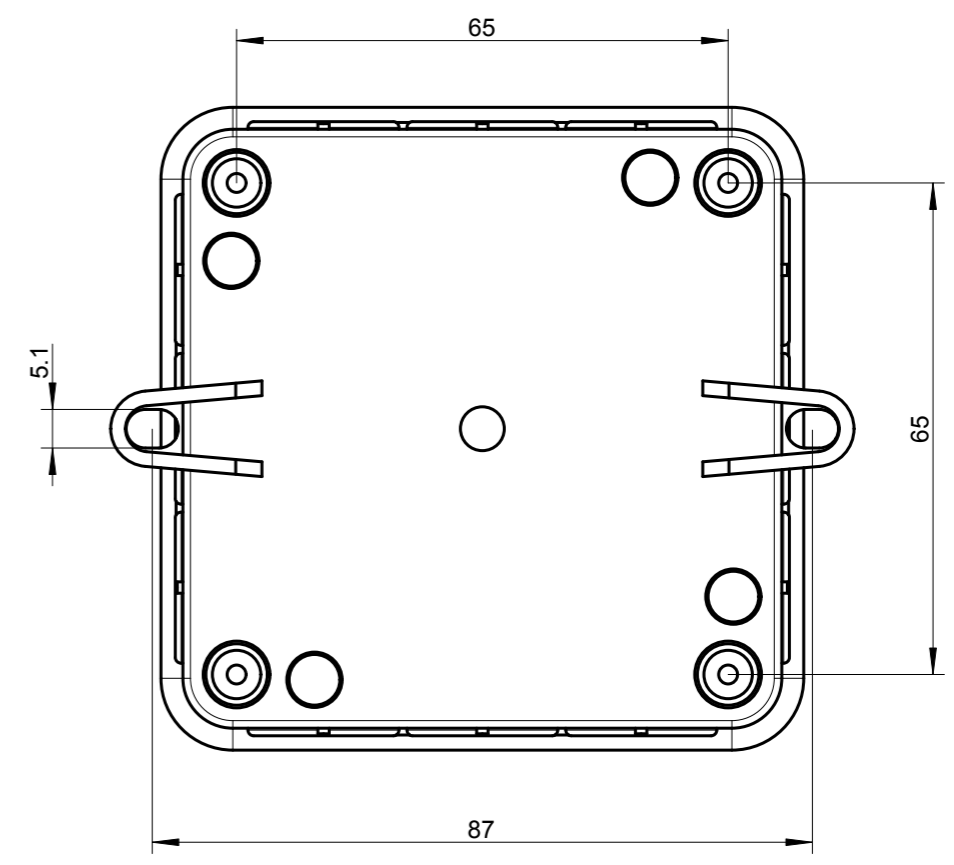
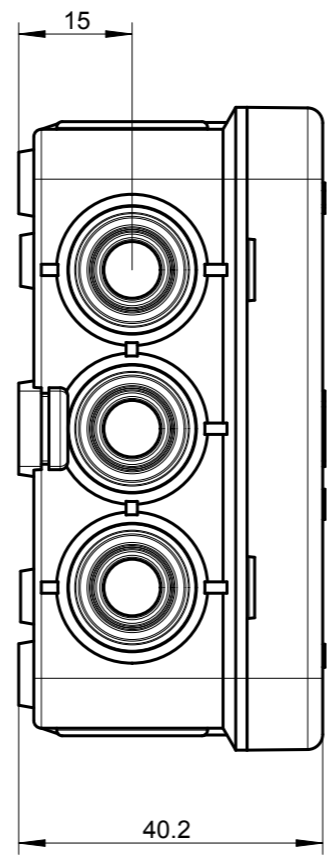
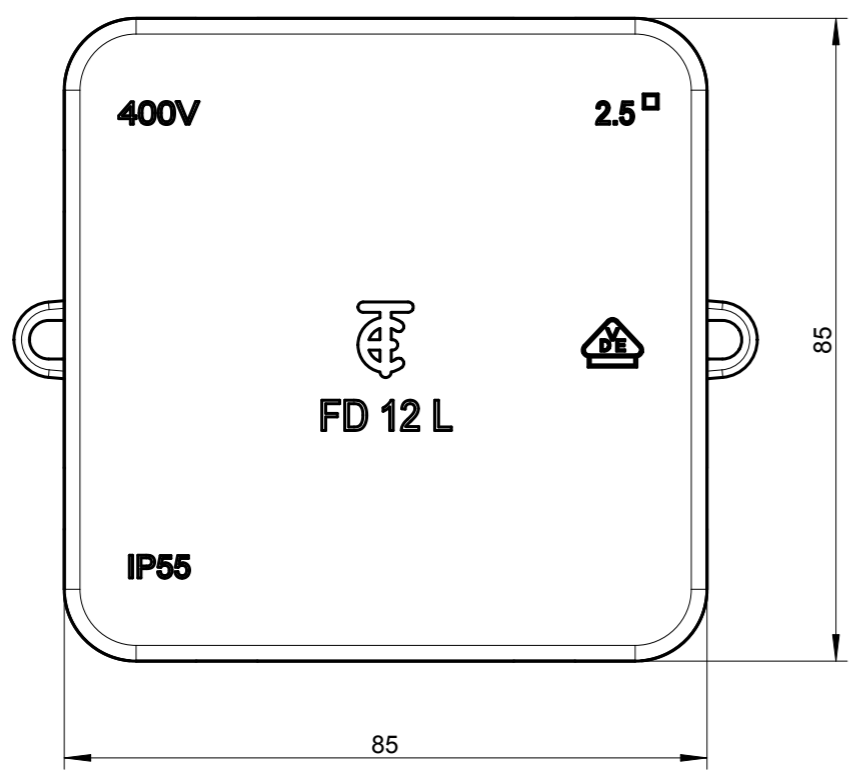


1 2 3 4 5 6 7 8

A
B
C
D
E
F



Querschnitt	1,5	2,5
Klemmen	6	5
Leiter	20	15

Material:		
Unterteil	LDPE	halogenfrei
Deckel	PP	halogenfrei

Issue no.	Issue date	Issue by	Issue chkd. by	Issue text
Gen. tolerance: EN 22768 mK		Sheetm. part tol.: DIN 6930-2 m		Plastic part tol.: DIN 16742-TG5
Surface treatment/aftertreatment: -				Info.: -
Project: -		Basic material: -		Scale: 1:1
Name: Kreuzbichler		Description		Projection
Date: 14.06.2017		FD 12 L		Size: A3
Chkd. by: -		-		Document
Chkd. date: -		Copyright according to ISO 16016		88168305 I 00
		www.electroterminal.com		ELECTRO- TERMINAL

1 2 3 4 5 6 7 8