



16x 420 (weekly program)



- Daily or weekly program
- Dimensions 72 x 72 mm
- Captive setting keys
- Manual override switch "Permanent OFF / Automatic / Permanent ON"
- Analogue display (clock display)

Save time switching controlling counting

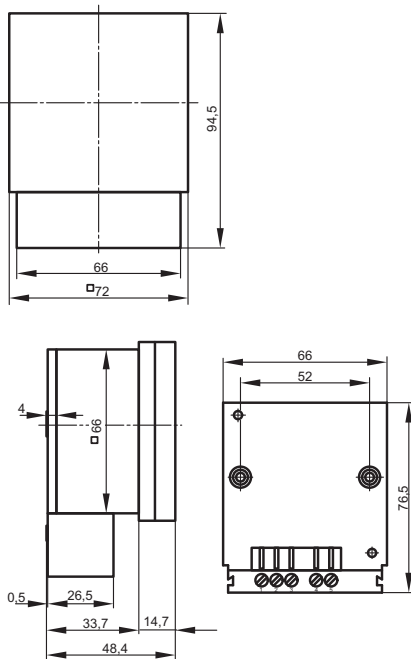
Analogue Time Switches 161 x20 / 164 x20

for surface- and switchboard panel mounting [müller FS 6x.x8]

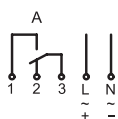
Technical data

Highlights

- Easy programming with captive setting keys
- Easy to read switching program
- Analogue display (clock hands)
- Manual override switch "Permanent OFF / Automatic / Permanent ON"
- Simple to install



161 x20 / 164 x20



Accessories

- Retaining Clip 160.001
- Quick-fix retaining clip 120.004

| | |
|---|---|
| Supply voltages | 230 V, 50–60 Hz other voltages on request |
| Power consumption (real power) | 0.4 W |
| Switch (potential-free) | Change-over, contact gap < 3 mm (μ) |
| Contact material | AgCdO |
| Switching capacity per channel | 16 A / 250 V~ at cosφ=1 2,5 A with inductive load cosφ=0.6 |
| Min. switching power | 1,000 mW (10 V / 10 mA) |
| Filament Lamp, Halogen Lamp | 2,000 W |
| Fluorescent Lamp uncompensated | 1,000 W |
| Fluorescent Lamp series compensated | 750 W |
| LED (230 V~) / CFL | 200 W |
| Minimum switching interval | 16x 120 day dial 15 min. 16x 420 week dial 1 h. |
| Time base | Quartz |
| Accuracy (at 23°C) | ≤ ±1 sec./day |
| Power back-up (at 20°C) | approx. 100 h. |
| Permitted ambient temperature | -10°...+50°C |
| Housing | self-extinguishing thermoplastic |
| Dimensions | Front frame 72 x 72 mm (DIN EN 43700) |
| Mounting | Panel, wall and 35 mm DIN-rail mounting (possible with additional quick-fix retaining clip 120 004) |
| Type of connection | 6.3 mm flat plug or with screw clip when using plug-in base |
| Type of protection | IP 20 to DIN EN 60529 |
| Class of protection | II when installed according to regulations |
| Mode of operation (DIN EN 60730-1) | 1 BSTU |
| Degree of contamination (DIN EN 60730-1) | 2 |
| Rated surge voltage (DIN EN 60730-1) | 4 kV |
| Accessory (not included in delivery) | Adapter for DIN-rail mounting 120 004 Clamp for switchband mounting 160001 |

| Order number | Version |
|-----------------|--------------------------------------|
| paladin 161 120 | müller FS 60.18 Day without reserve |
| paladin 164 120 | müller FS 64.18 Day with reserve |
| paladin 161 420 | müller FS 60.38 Week without reserve |
| paladin 164 420 | müller FS 64.38 Week with reserve |

▶ Housing colour ▶ Setting key colour